

4395 GARAGE DOOR LOCK SPECIFICATION SHEET

APPLICATIONS

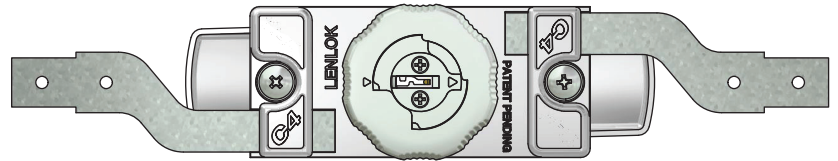
The Lenlok 4395 Garage Door Lock is designed for Roller Doors, but can be suitable for other closures.

FEATURES

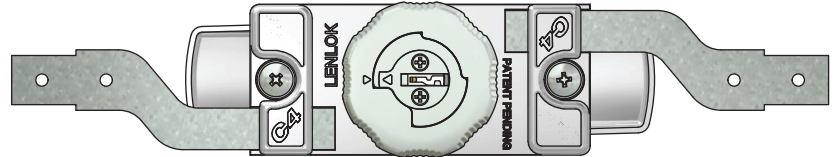
- Attractive modern styling.
- The 4395 lock is designed to incorporate both Freelatching and Deadlocking modes.
 - The same drive cam can be used for Freelatching and Deadlocking mode.
 - Due to the patented cam design, in the locked position the drive cam cannot be removed even if the cam screws are removed.
 - Reverse C4 Key (not supplied) can be used on C4 cylinders for use with deadlocking mode allowing locking and unlocking from inside.
 - Tamper proof screws are supplied as standard to improve security in Deadlocking mode.
- The 4395 can accommodate certain restricted barrel systems, but can be supplied with a locksmith grade, Carbine C4 '001' Cylinder.
 - Cylinder plug can be re-keyed without the removal of the main mechanism from the door (using a follower).
- Lock body has integrated mechanism protectors. These keep the door from applying pressure to the mechanism.
- Masking tape is supplied to retain the fascia during installation.
- Ergonomically designed turn knob with larger finger grips for ease of use.
- Slide arms are constructed from galvanised steel for increased strength and have threaded holes for the screws making installation easier.
- All assembly screws are supplied as SEM's with incorporated shakeproof washers to make installation easier.

SPECIFICATIONS

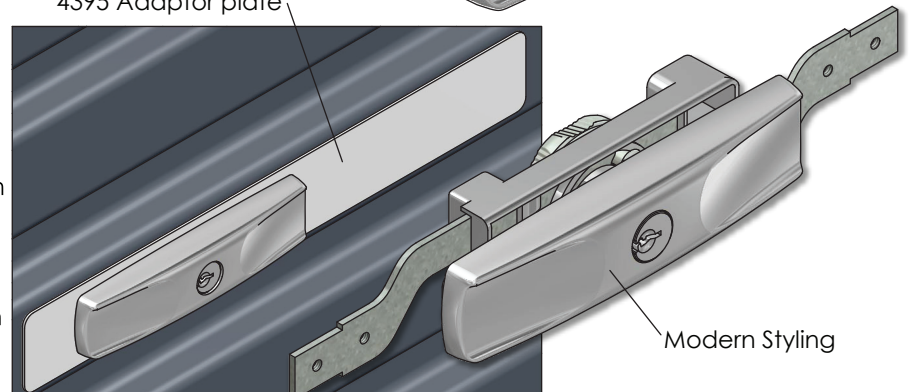
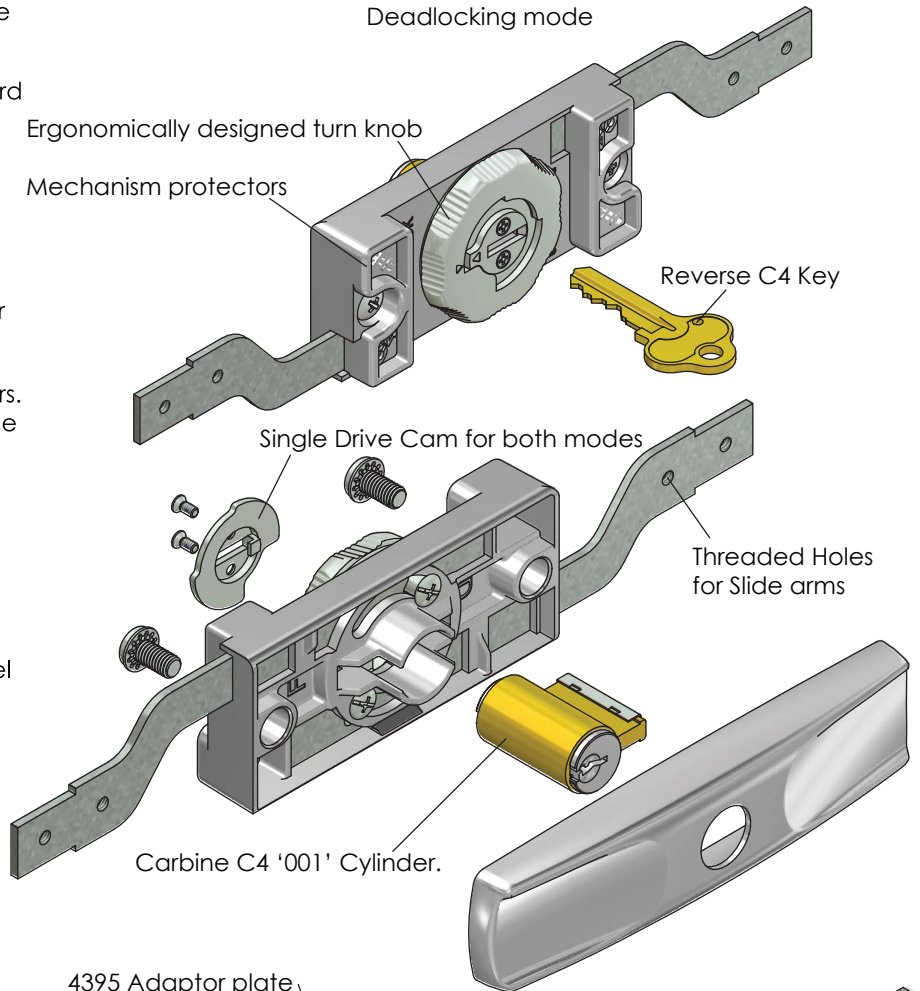
- Fascia retrofits to existing market standards. When used in conjunction with the 4395 Adaptor Plate kit, the fascia can retrofit over existing larger fascia cutouts. E.g. Lenlok 3323 and 3369.
- High quality Satin Chrome plated Zinc alloy diecast fascia.
- Lock body designed for minimum protrusion from front and rear of door (see dimensions on pg. 2).
- Locking arms have a 19mm throw.
- All mechanical components manufactured from metal for increased strength and reliability.



Freelatching mode



Deadlocking mode





4395 GARAGE DOOR LOCK SPECIFICATION SHEET

