

4395 ADAPTOR PLATE SPECIFICATION SHEET

APPLICATIONS

The 4395 Adaptor Plate is designed for use with the Lenlok 4395 Garage Roller Door lock.

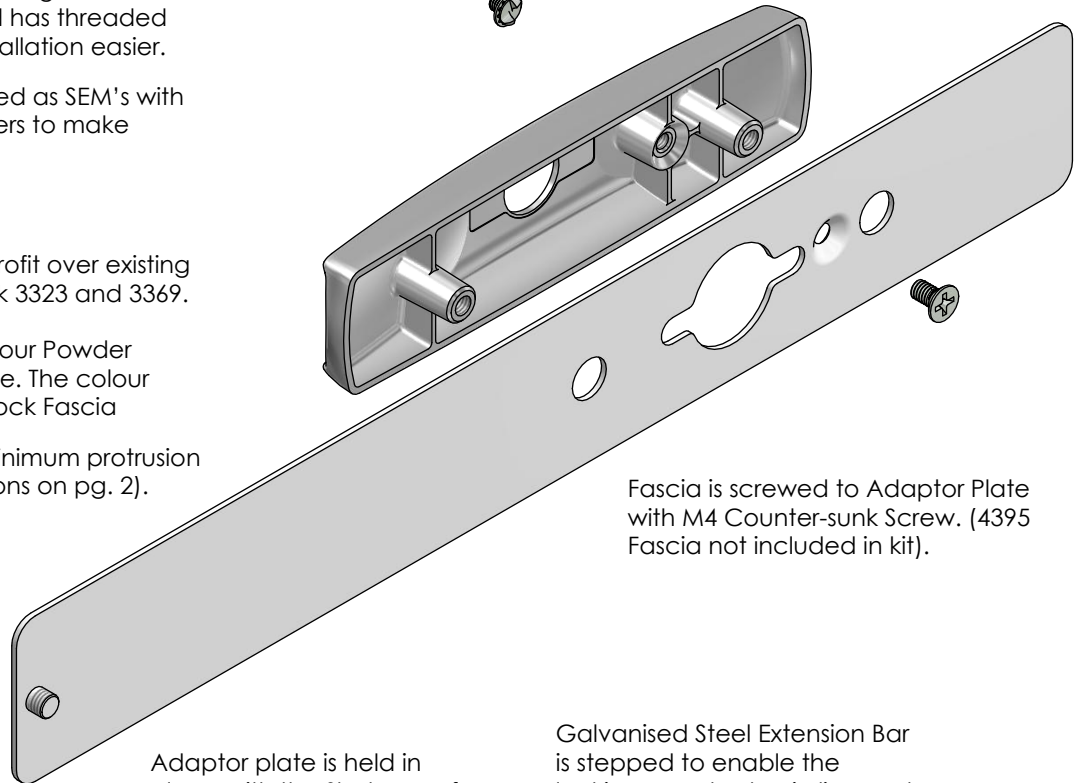
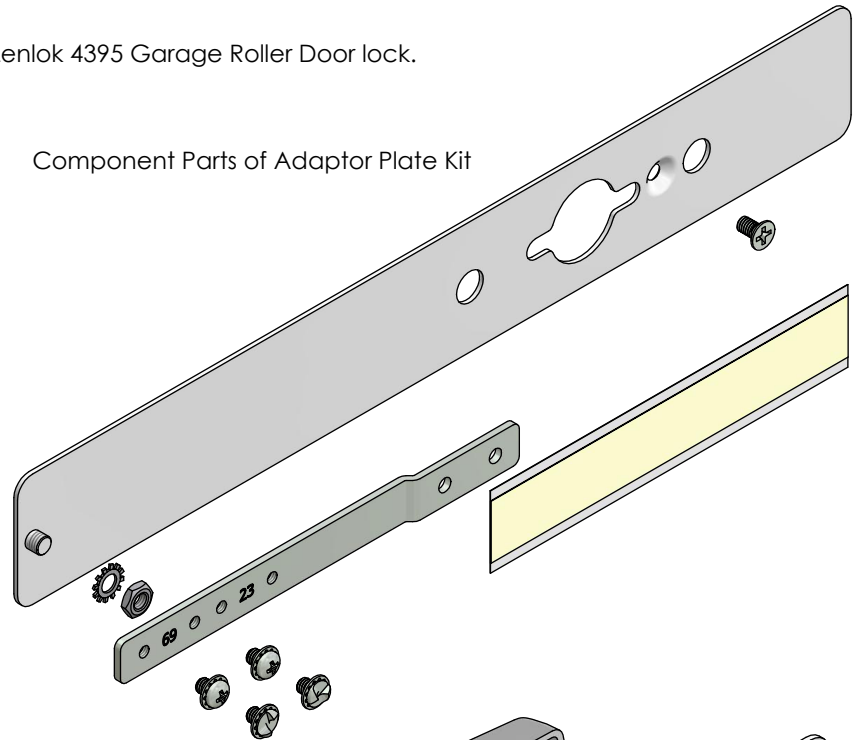
FEATURES

- Attractive modern styling and colour to match the 4395 Fascia.
- The 4395 Adaptor plate kit is supplied with all the necessary fasteners for when the main lock is used in Freelatching or Deadlocking mode.
- Unique design allows fascia to be attached to adaptor plate and make installation easier.
- M5 threaded lug is flush mounted to adaptor plate giving a much neater appearance. The plate is held in position with a high quality shakeproof washer and slimline M5 Nut.
- Two strips of Masking tape are supplied to retain the fascia and plate during installation, and thus make installation easier.
- Slide arm extension is made from galvanised steel for increased strength and has threaded holes for the screws making installation easier.
- All assembly screws are supplied as SEM's with incorporated shakeproof washers to make installation easier.

SPECIFICATIONS

- 4395 Adaptor Plate kit can retrofit over existing larger fascia cutouts. E.g. Lenlok 3323 and 3369.
- High quality Satin Chrome Colour Powder Coated Mild Steel Adaptor Plate. The colour matches the 4395 Roller Door Lock Fascia
- Adaptor Plate designed for minimum protrusion from front of door (see dimensions on pg. 2).

Component Parts of Adaptor Plate Kit



Fascia is screwed to Adaptor Plate with M4 Counter-sunk Screw. (4395 Fascia not included in kit).

Adaptor Plate and Fascia assembly is held onto the door with masking tape during installation

Adaptor plate is held in place with the Shakeproof washer and M5 nut.

Galvanised Steel Extension Bar is stepped to enable the locking arms to stay in line and aid positioning.

